

SPECIFICATION

MESSRS. :

CUSTOMER MODEL NO. :

ROKI MODEL NO. : JD46-PF

DATE OF ISSUE :

ISSUE NO. :

銓基電子股份有限公司

ROKI ELECTRONICS CO., LTD.

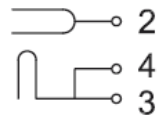
桃園市大興西路二段 6 號 4 樓之 4

4F-4, NO.6, Sec.2, Dah-Shing West Road,

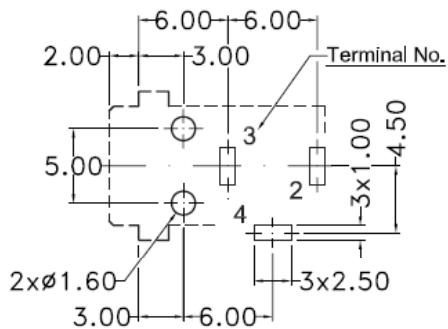
Taoyuan 330, Taiwan

TEL : +886-3-3011936 FAX : +886-3-3011937

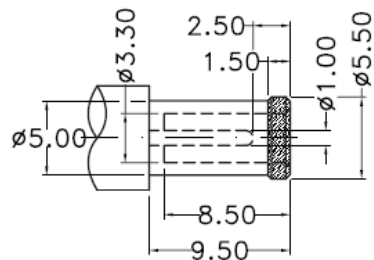
E-mail : sales@roki.com.tw



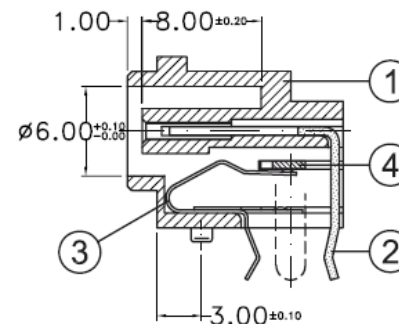
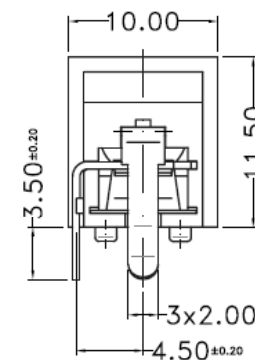
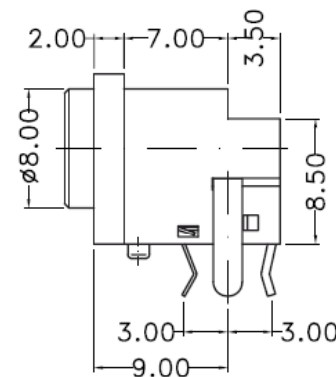
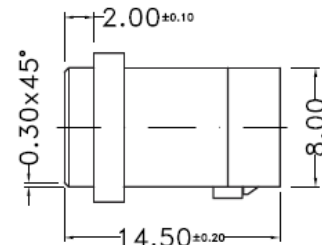
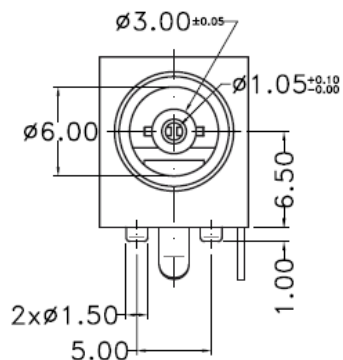
SCHEMATIC



PIERCING PLAN



MATE PLUG



4	SLEEVE BREAK	BRASS	1	Ag PLATED
3	SLEEVE SPRING	SPRING ALLOY	1	Ag PLATED
2	PIN CONTACT	BRASS	1	Ag PLATED
1	HOUSING	PA66+G.F	1	BLACK COLOR
NO	PARTS NAME	MATERIAL	Q'TY	FINISHING

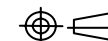
PART NAME : DC JACK

SCALE :

PART NO : JD46-PF

UNIT : mm

TOLERANCE : ±0.2 mm



VER : R03



銓基電子股份有限公司
ROKI ELECTRONICS CO., LTD.



SPECIFICATION

JD46-PF

REV : B

PAGE : 1 / 3

Description: H=6.50mm Horizontal PCB Mount DC Power Jack

Center Pin Hole Diameter: $\varnothing 1.05\text{mm}$

Packing Method: Bulk Pack

1. General

1a. Scope

The jacks should apply to DC low voltage.

1b. Gauge Plug

The gauge plug should be as shown in appendix fig. 1 or equivalent.

1c. Measurement Condition

All measurement should be done at room ambient temperature and relative humidity 45%-85%.

2. Electrical

2a. Rating

DC 13.5V, 2A.

2b. Dielectric Strength

AC 500V at 50-60Hz between insulated conductors for 1 minute, and there should be no breakdown of insulation.

2c. Insulation Resistance

Before test or initial minimum 100M Ω at DC 500V.

After humidity test minimum 50M Ω .

After heat test minimum 100M Ω .

After cold test minimum 100M Ω .

After soldering test minimum 100M Ω .

2d. Contact Resistance

Before test or initial maximum 30m Ω between terminals and 50m Ω between plug and terminal. Apply 1kHz, AC 50mA or less to measured.

Between Terminals

After life test maximum 60m Ω .

After humidity test maximum 30m Ω .

After heat test maximum 30m Ω .

After cold test maximum 30m Ω .

After soldering test maximum 30m Ω .

Between Plug and Terminal

After life test maximum 80m Ω .

After humidity test maximum 60m Ω .

After heat test maximum 50m Ω .

After cold test maximum 50m Ω .

After soldering test maximum 50m Ω .

3. Mechanical

3a. Dimensions

Please refer to the mechanical drawing for the shape and all dimension of the product.



SPECIFICATION

JD46-PF

REV : B

PAGE : 2 / 3

3b. Insertion and Extraction Force

Force of the jacks should be measure with the Gauge Plug. At the conclusion of this test, the jacks shall comply with a value as specified.

Insertion Force

Before test or initial Maximum 3kgf.

After life test maximum 3kgf.

After humidity test maximum 3kgf.

After heat test maximum 3kgf.

After cold test maximum 3kgf.

After soldering test maximum 3kgf.

Extraction Force

Before test or initial 0.3kgf to 3kgf.

After life test 0.2kgf to 3kgf.

After humidity test 0.3kgf to 3kgf.

After heat test 0.3kgf to 3kgf.

After cold test 0.3kgf to 3kgf.

After soldering test 0.3kgf to 3kgf.

3c. Terminal Strength

A static force of 1000 grams being applied in any direction on the tip of the terminal for a period of 5 seconds. The jacks shall not evidence of mechanical damage, and no losing the terminal except bending the terminal, causing electrical failure or damages to the extent of practical use.

4. Solderability

4a. Soldering Condition

The Jacks for Printed Circuit Board

The jacks shall be mounted or attached to copper foil clad phenolic laminated board with a suitable hole layout to meet terminal arrangement of the jacks tested, the area to be soldered of the terminal shall be immersed into molten solder at a temperature of $260^{\circ}\text{C} \pm 5^{\circ}\text{C}$ for a period of 5 ± 0.5 seconds.

The Jacks for Hand Soldering

The terminal of jacks tested shall be heated to 2.0mm from a tip of the terminal by a soldering irons to have a capacity of 60 Watts consumption at a temperature controlled of $350^{\circ}\text{C} \pm 5^{\circ}\text{C}$ for a period of 3 ± 0.5 seconds.

4b. Soldering Test

The terminal of jacks tested shall be dipped into soldering flux of GX-7 ASAHI CHEMICAL'S or equivalent for a period of 5 - 10 seconds to pre-flux and shall be immersed into $235^{\circ}\text{C} \pm 5^{\circ}\text{C}$ molten solder of (Tin 63% and Lead 37%) or equivalent to 2.0mm \pm 0.5mm from tip of terminal for dwell time of 3 ± 0.5 seconds. At the conclusion of this test, the tested area shall be covered more than 75% of immersed area with solder.

5. Environmental

5a. Humidity Test

The jacks shall be exposed in a humidity chamber at temperature of $40^{\circ}\text{C} \pm 2^{\circ}\text{C}$ and at a relative humidity of 85% to 90% for 48 hours (2 days), and in normal room ambient condition for 30-60 minutes to stabilize measurement. At the conclusion of this test, the jacks shall comply with paragraphs 2a, 2b, 2c, 2d and 3b.

5b. Heat Test

The jacks shall be exposed in a heat chamber at temperature of $70^{\circ}\text{C} \pm 2^{\circ}\text{C}$ and at a relative humidity of below 50% for a period of 48 hours (2 days), and in normal room ambient condition for 30-60 minutes to stabilize measurement. At the conclusion of this test, the jacks shall comply with paragraphs 2a, 2b, 2c, 2d and 3b.

**SPECIFICATION**

JD46-PF

REV : B

PAGE : 3 / 3

5c. Cold Test

The jacks shall be exposed in a cold chamber at temperature of $-40^{\circ}\text{C} \pm 2^{\circ}\text{C}$ for a period of 48 hours (2 days), and in normal room ambient condition of 30-60 minutes to stabilize measurement. At the conclusion of this test, the jacks shall comply with paragraphs 2a, 2b, 2c, 2d and 3b.

6. Life Test**6a. Test Condition**

Life test shall be done at (15 - 18 cycles / minute) Unloaded.

Before the test, apply contact grease to the sliding surface of the plug in order to prevent the part from over-heating and wearing due to friction.

6b. Life of Jacks

After 5,000 cycles of continuous insertion and extraction. At the conclusion of this test, the jacks shall comply with paragraphs 2a, 2b, 2c, 2d and 3b.

7. Precautions in Handling

Please take note of the following points

7a. Operating temperature and humidity range

Temperature: $-25^{\circ}\text{C} \sim 70^{\circ}\text{C}$ / Humidity: 70% RH or less.

7b. Recommended to manual soldering conditions (by solder iron)

Bit temperature: $350^{\circ}\text{C} \pm 5^{\circ}\text{C}$

Solder iron: 3 ± 0.5 second

Load on terminal: approx. 0.5N (50g) or less.

7c. Storage

This jack is silvering plated. Therefore this jack should not be left with the package open. In case plating sulfurates soldering trouble or contact trouble will happen. The shelf-life remains 6 months under the formal condition.

7d. Washing

This jack shall not be washed. In case this jack is washed contact trouble will happen.